



**theralux**  
POOL WATER AT ITS BEST™

# User Manual

Filter Pro

254 / 255 / 285

# Contents

Model	2
Function	2
Installation	3
Main Dimension	4
Install/Start-up of Filter	4
Replacement Parts of Filter	5
Replacement Parts of Multi Port Valve	6
Functions Of Valve Positions	7
General	8
To Assemble	8
Warning	8
Trouble Shooting	8
Warranty	9
Notes	10

## IMPORTANT

Always read the instructions and warnings on chemical containers before using chemicals.

Never add salt/minerals before testing levels

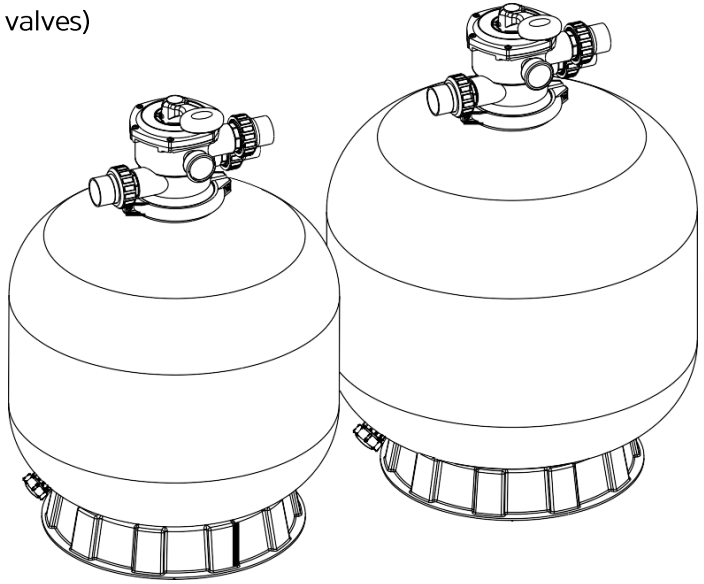
Serial Number.....

Date of Installation.....

Installed by.....

Model: 254 / 255 / 285

(Link by clamp type valves)



**THERAC6254 (254)**  
**THERAC6255 (255)**  
**THERAC6285 (285)**

---

## FUNCTION

---

The filter uses special filter media to remove dirt particles from pool water. The filter media is loaded into the filter tank and functions as the permanent dirt removing media. When the control valve is in the FILTER position, the pool water which contains suspended dirt particles, is pumped through your piping system, and is automatically directed by the patented filter control valve to the top of the filter tank. As the pool water is pumped through the filter, dirt particles are trapped by the media bed, and filtered out. The cleaned Pool water is returned from the bottom of the filter tank, through the control valve and back to the pool through the piping system. This entire sequence is continuous and automatic and provides for total recirculation of pool water through your filter and piping System.

After a period of time the accumulated dirt in the filter causes a resistance to flow, and the flow diminishes. This means it is time to clean your filter. With the control valve in the BACKWASH position, the water flow is automatically reversed through the filter so that it is directed to the bottom of the tank, up through the filtration media, flushing the previously trapped dirt and debris out the waste line. Once the filter is backwashed of dirt, set control valve to the RINSE position, and run pump for about 30 seconds to 1 minute, and then return to FILTER, to resume normal filtering.

**NOTE: Turn pump OFF before changing valve position!**

## INSTALLATION

Only simple tools, plus pipe sealant for plastic adapters, are required to install and service the filter.

A minimum clearance of 400mm above the multiport valve is required to permit easy removal.

Theralux Media Filter tanks are made from UV stabilised materials. However, to ensure years of reliable service, it is recommended that every effort be made to ensure the filtration system is adequately protected from the weather.

- 1) The filter should be placed on a level concrete slab, very firm ground, or equivalent. Position the filter so that the piping connections, control valve are convenient and accessible for operation and service.
- 2) Loading the filtration media. Filtration media is loaded through the top opening of the filter.
  - a) Loosen the flange clamp and remove filter control valve (if previously installed).
  - b) Cap internal pipe with the plastic cap to prevent media from entering.
  - c) We recommend filling the tank approximately ½ way with water to provide a cushion effect when the filtration media is poured in. This helps protect the under-drain laterals from excessive shock.
  - d) Carefully pour in the correct amount and grade of filtration media (making sure the centre pipe remains centred in the opening). The surface of the filtration media should be level and come to about the middle of the filter tank. Remove the plastic cap from the internal pipe.
- 3) Assemble filter control valve into the filter tank.
  - a) Insert filter control valve (with O-Ring in place) into the tank neck taking care that the centre pipe slips into the bottom of the valve.
  - b) Place the 2 plastic clamps around the valve and tank flange, tighten just enough so the valve may be rotated on the tank for final positioning.
  - c) Carefully screw pressure gauge (with O-Ring in place) into the tapped hole in the valve body (DO NOT OVER TIGHTEN).
  - d) Connect pump to control valve opening marked PUMP. After connections are made, tighten valve flange clamps with screwdriver, tapping around clamp with screwdriver handle to help seat valve flange clamp.
- 4) Make return to pool pipe connection to control valve opening marked RETURN and complete other necessary plumbing connections, suction lines to pump, waste, etc.
- 5) Make electrical connections to pump per pump instructions.
- 6) To prevent water leakage, be sure all pipe connections are tight.



**DO NOT OVERTIGHTEN** - The fittings and multiport valve on this product are constructed of ABS. Some PVC jointing compounds are incompatible with ABS. Check compound suitability before use.



A non-return valve is required in between the pump and filter:

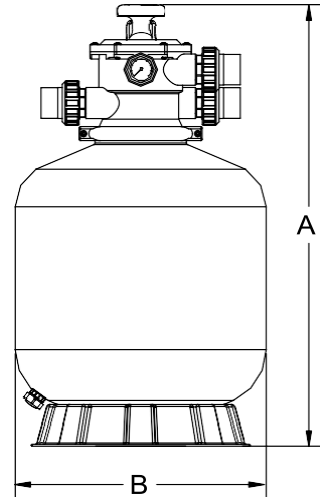
- On installations where the waste line is more than 3 metres below pool water level and more than 12 metres in length, a vacuum break valve must be fitted in the waste line close to the filter.
- If an auxiliary pump is installed in line downstream of the filter, it should be protected against causing negative pressure in the filter tank. A flow or pressure switch which

only enables the auxiliary pump to run when the main filter pump is running will achieve this.

- If the pump and filter are located below pool water level, it is necessary to fit isolating valves in the pipe between the pump and the skimmer box and in the return pipe from the multiport valve to the pool. This prevents water draining from the pool during maintenance.

**FAILURE TO COMPLY WITH THE ABOVE CAUTIONS MAY RESULT IN FILTER DAMAGE NOT COVERED BY THE WARRANTY.**

## MAIN DIMENSION



Dimension Table

Model	Height A mm	Diameter B mm	Valve Port Inch	Sand kg	Glass Media kg
254	950	635	1.5"	145	104
255	950	635	2.0"	145	120
285	1092	723	2.0"	215	165

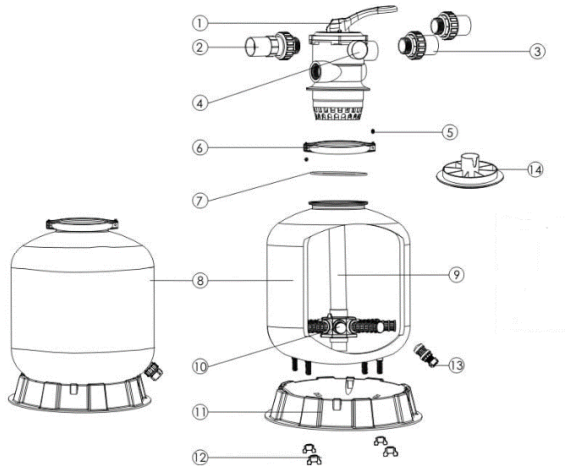
## INSTALL/START-UP OF FILTER

- 1) Make sure the correct amount of filter media is in the tank and that all connections have been made and are secured.
- 2) Depress control valve handle and rotate to BACKWASH position. (To prevent damage to control valve seal, always depress handle before turning).
- 3) Prime and start pump according to pump instructions (be sure all suction and return lines are open), allowing the filter tank to fill with water. Once water is flowing out of the waste line, run the pump for at least 1 minute. The initial backwashing of the filter is recommended to remove any impurities or fine particles in the filter media.
- 4) Turn the pump off and set valve to RINSE position. Start pump and operate until water in sight glass is clear, about 30 seconds to 1 minute. Turn the pump off and set valve to FILTER position and restart pump. The filter is now operating in the normal filter mode, filtering dirt particles from the pool water.
- 5) Adjust pool suction and return valves to achieve desired flow. Check system and filter for water leaks and tighten connections, bolts, nuts, as required.
- 6) Note the initial pressure gauge reading when the filter is clean. (It will vary from pool to pool depending upon the pump and general piping system.) As the filter removes dirt and impurities from the pool water, the accumulation in the filter will cause the pressure to rise and flow to diminish. When the pressure gauge reading is 1.5 bar, higher than the initial "clean" pressure

you noted, it is time to backwash the filter (see BACKWASH under filter and control valve functions).

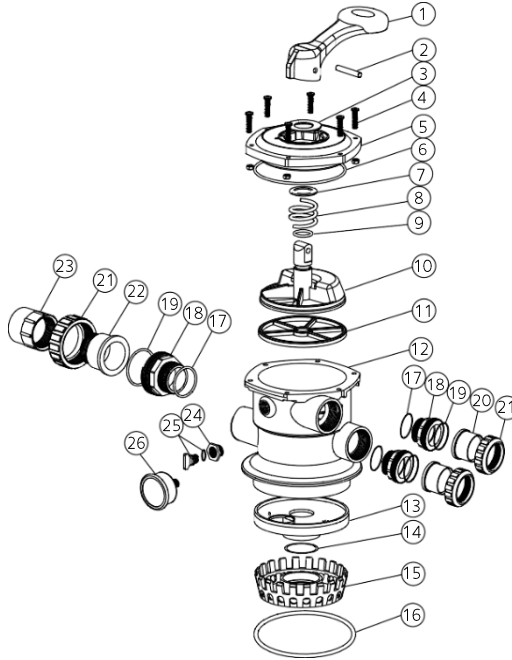
NOTE: During initial clean-up of the pool water, it may be necessary to backwash frequently due to the unusually heavy initial dirt load in the water.

## REPLACEMENT PARTS OF FILTER



Item	Part No.	Description	Qty
1	THERAC4005	6 Way 1.5" Valve with 1.5" union set x 3 and pressure gauge (Black)	1
2	THERAC12502	1.5" union with sight glass with O-ring (Black)	1
3	THERAC12503	1.5" union set with O-ring (Black)	2
4		Plastic Pressure Gauge with O-Ring	1
4	THERAC1021	Connector for Pressure Gauge/Stopper	1
5	THERAC12506	M6 x 50 Screws with Nut	2
6	THERAC12507	Clamp Lock	2
7	THERAC12508	O-Ring for Filter Neck	1
8	THERAC12513	255/254 Filter V650 Filter tank	1
8	THERAC12514	285 Filter V700 Filter tank	1
9	THERAC12519	255/254 Filter V650 Standpipe with hub	1
9	THERAC12520	285 Filter V700 Standpipe with Hub	1
10	THERAC12522	Laterals (126mm)	8
11	THERAC12525	255/254 Filter V500-V700 Filter Base	1
12	THERAC12527	Fastener for Filter Base	4
13	THERAC12526	Water Drain Set	1
14		Sand Diverter (Black) for 1.5"	1

REPLACEMENT PARTS OF MULTIPOINT VALVE



Item	Part No.	Description	Qty
1	THERAC1001	Handle (Big)	1
2	THERAC1502	Pin for handle	1
3	THERAC1033	Washer for handle	1
4		M6 x 25 Screw with nut for camber lid	6
	THERAC1504	M6×30 Screw with nut for standard lid	6
5	THERAC1505	1.5"Top Mount Valve Standard Lid (Black)	1
6	THERAC1516	O-Ring for 1.5" Valve Lid	1
7	THERAC1009	Washer for Spring	1
8	THERAC1036	Spring for 1.5" Top Mount Valve	1
9	THERAC1008	O-Ring for 2.0" Top Mount Valve Rotor	2
10	THERAC1510	1.5" Valve Rotor with O-Ring	1
11	THERAC1511	254 Filter Spider Gasket 40mm	1
12	THERAC1512C	1.5"Top Mount Valve Bottom Body Clamp (black)	1
13	THERAC1513	1.5" Diffuser	1
14	THERAC1514	O-Ring for Diffuser	1
15	THERAC1515	1.5"Top Mount Valve Over Drain Diffuser	1
16	THERAC12508	O-Ring for Filter Neck	1
17	THERAC1517	O-Ring for 1.5"Connector	3
18	THERAC1518	1.5"Connector (black)	3

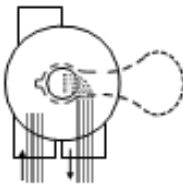
19	THERAC1519	O-Ring for 1.5" Adaptor	3
20	THERAC1520	1.5"Union (A/E)	2
21	THERAC1521	1.5"Union Nut (black)	3
22	THERAC1522	1.5"Union with Sight Glass (short)	1
23	THERAC1523	1.5"Union with Sight Glass Holder	1
24	THERAC1021	Connector for pressure gauge/stopper	1
		O-Ring	1
25		Drain Plug with O-ring	1
26	THERAC12504	Oil Pressure Gauge with O-ring (40psi)	1

## FUNCTIONS OF VALVE POSITIONS

Valve Position	Function
FILTER	Normal filtration and Vacuuming
BACKWASH	Cleaning filter by reversing the flow
RINSE	Used after backwash to flush dirt from valve
WASTE	By-passes filter, used for vacuuming to waste or lowering water level
RECIRCULATE	By-passes filter for recirculating water to the pool
CLOSED	Shuts off all flow to filter or pool

FILTER

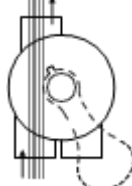
WASTE



IN FLOW    OUTFLOW

WASTE

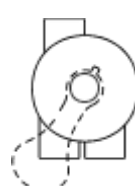
WASTE



IN FLOW    OUTFLOW

CLOSED

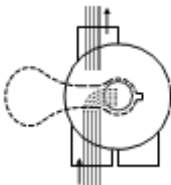
WASTE



IN FLOW    OUTFLOW

BACKWASH

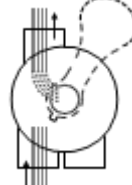
WASTE



IN FLOW    OUTFLOW

RINSE

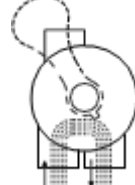
WASTE



IN FLOW    OUTFLOW

RECIRCULATE

WASTE



IN FLOW    OUTFLOW



## GENERAL

- 1) Pipe tap boss provided for optional influent pressure gauge.
- 2) SERVICING VALVE (Stop the pump, close gate valve in suction & discharge before proceeding):
  - a) Set handle in filter position. b) Remove cover screws. c) Lift cover and key assembly out.

## TO ASSEMBLE:

- 1) Place valve key so that wedge opening at TOP part (handle in filter psn.). Flat edge of cover screw lug should align with flat edge of body screw lug.
- 2) Position cover O-ring.
- 3) Secure assembly to body with cover screws. Tighten cover screws evenly and alternatively. DO NOT over-tighten.

## WARNING



THIS FILTER OPERATES UNDER HIGH PRESSURE. WHEN ANY PART OF THE CIRCULATING SYSTEM (e.g., CLAMP,PUMP, FILTER, VALVES, ETC.) IS SERVICED, AIR CAN ENTER THE SYSTEM AND BECOME PRESSURISED. PRESSURISED AIR CAN CAUSE THE LID OR VALVE TO BE BLOWN OFF WHICH CAN RESULT IN SEVERE INJURY, DEATH, OR PROPERTY DAMAGE.



TURN PUMP OFF BEFORE CHANGING VALVE POSITION.



TO PREVENT DAMAGE TO THE PUMP AND FOR PROPER OPERATION OF THE SYSTEM, CLEAN PUMP STRAINER AND SKIMMER BASKETS REGULARLY.



DO NOT UNSCREW SCREWS OF FLANGE CLAMP WHILE PUMP IS RUNNING.



UNDER LOW TEMPERATURE SHUT OFF CONDITION, IT IS STRONGLY RECOMMEND TURNING TO WINTERISE POSITION AND DISCHARGE ALL THE WATER INSIDE FILTER THROUGH THE BOTTOM DRAIN.

## TROUBLE SHOOTING

Problem	Action
Reduced water flow returning to pool.	Check pressure gauge, if high, perform a backwash.
Reduced water flow after backwash.	Check for blocked or plugged lines which could restrict flow.
Large quantities of media returning to pool.	One of the lower laterals may be damaged. Remove media and replace broken laterals.
Pump is operating noisily.	Check for air leaks, blocked pipes, or obstruction in pump basket. (Refer pump manual).
Media filter operating noisily.	Water flow through media filter and multiport valve is too high. The media level is too high, or the media may not be level.

## WARRANTY

PRODUCT	WARRANTY PERIOD	LIMITATIONS	WARRANTY ACTION
Theralux Media Filters	10 Years	Tank	Replace
	1 Year	All other parts	Replace/Repair
	1 Year	On-site labour from date of purchase.	
	1 Year	All parts (Commercial Use).	Onsite Swap/Repair

Our goods come with guarantees that cannot be excluded under the Australian Consumer Law. You are entitled to a replacement or refund for a major failure and compensation for any other reasonably foreseeable loss or damage. You are also entitled to have the goods repaired or replaced if the goods fail to be of acceptable quality and the failure does not amount to a major failure.

Should you experience any difficulties with your Theralux product, we suggest in the first instance that you contact the installer of the product. Alternatively, you can contact Theralux. If your Theralux product is found to be faulty, on receipt of your claim, Theralux will seek to resolve your difficulties as soon as possible.

Theralux does not cover normal wear or tear, or damage resulting from misuse or negligent handling, improper use for which the product was not designed or advertised, failure to properly follow the provided installation and operating instructions, failure to carry out maintenance, corrosive or abrasive water or other liquid, lightning or high voltage spikes, or unauthorized persons attempting repairs. Where applicable, your Theralux product must only be connected to the voltage shown on the nameplate.

Theralux does not cover freight, or any other costs incurred in making a claim. Please retain your receipt as proof of purchase; you MUST provide evidence of the date of original purchase when making a claim.

Without limiting Australian Consumer Law, Theralux products are designed for use with swimming pool water balanced in accordance with Australian Standard AS3633-1989, with a pH range of 7.0 - 7.8. Maximum chlorine readings should not exceed 4ppm.

Where pool water is not maintained within these parameters, Theralux is not liable for any resulting damage, including damage caused by corrosion, scaling, or stress loading.

Theralux shall not be liable for any loss of profits or any consequential, indirect, or special loss, damage or injury of any kind whatsoever arising directly or indirectly from Theralux products.

Should your Theralux product require repair or service after the guarantee period; contact your nearest Theralux dealer or reputable pool shop.

---

# NOTES

---



Visit [theralux.com.au](http://theralux.com.au) or call  
Australia 1300 131 788  
New Zealand +64 9 527 0753

 **theralux**  
POOL WATER AT ITS BEST™